

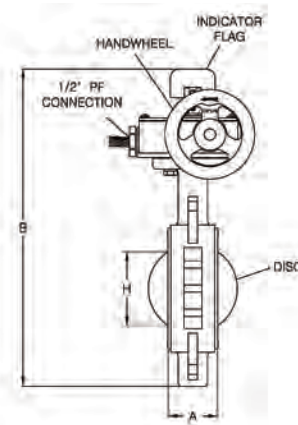
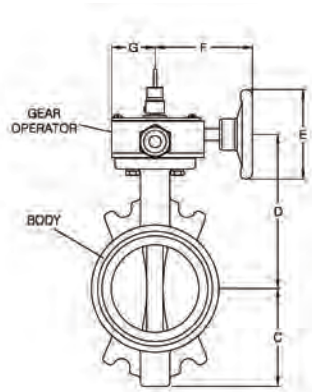
Wafer Type Butterfly Valve

Wafer Tip İzlenebilir Kelebek Vana



SPECIFICATIONS

- WORKING PRESSURE 300 psi (21 bar)
- MAX. TEST PRESSURE 600 psi (42 bar)
- TEMPERATURE RANGE ~250°F (~120°C)
- GAERBOX
IP 65, bronze traveling nut gearbox with internal dual switch in ductile iron housing
Factory Installed UL Approved Tempered Switch for Indoor and Outdoor Use



DIMENSIONS

Nominal Valve Size Inches (DN)	Nominal Dimensions Inches (mm)								Weight Lbs. (kg)
	A	B	C	D	E	F	G	H	
2" (DN50)	1.50 (38)	10.63 (270)	2.85 (72.5)	4.90 (124.5)	4.92 (125)	4.28 (108.6)	1.99 (50.5)	1.4 (35.5)	11.46 (5.2)
2-1/2 (DN65)	1.81 (46)	11.67 (296.5)	3.35 (85)	5.45 (138.5)	3.94 (100)	4.28 (108.6)	1.99 (50.5)	1.65 (41.9)	13.4 (6.1)
3 (DN80)	1.81 (46)	12.27 (311.7)	3.58 (91)	5.81 (147.7)	3.94 (100)	4.28 (108.6)	1.99 (50.5)	2.34 (59.5)	14.77 (6.7)
4 (DN100)	2.16 (55)	13.92 (353.5)	4.29 (109)	6.75 (171.5)	3.94 (100)	4.28 (108.6)	1.99 (50.5)	3.25 (82.6)	15.65 (7.1)
5 (DN125)	2.4 (61)	16 (406.6)	5.16 (131)	7.93 (201.5)	5.91 (150)	5.79 (147)	2.32 (58.9)	4 (101.6)	26.68 (12.1)
6 (DN150)	2.4 (61)	17.07 (433.6)	5.71 (145)	8.44 (214.5)	5.91 (150)	5.79 (147)	2.32 (58.9)	5.22 (132.6)	25.35 (11.5)
8 (DN200)	3.03 (77)	19.02 (483.1)	6.69 (170)	9.43 (239.5)	8.86 (225.0)	5.79 (147)	2.32 (58.9)	7.3 (185.4)	31.53 (14.3)

MATERIAL SPECIFICATIONS

Component	Material
Body	ASTM A536 Nylon-11 Coated
Disc	ASTM A536 EPDM Encapsulated
Stem	AISI 410
Signal Gearbox	ASTM A536
Hand Wheel	ASTM A536
O-ring	EPDM
Gasket	EPDM