



TEKNİK ÖZELLİKLER / TECHNICAL SPECIFICATIONS

Basınç Sınıfı	: PN16 / PN25
Bağlantı Tipi	: İç dişli - İç dişli
Pressure Rating	: PN16 / PN25
Connection Type	: Female - Female

Ürün / Product	Ölçü / Size
R850TX015	DN15
R850TX020	DN20
R850TX025	DN25
R850TX032	DN32
R850TX040	DN40
R850TX050	DN50

SERTİFİKA / CERTIFICATE



GENEL ÖZELLİKLER / GENERAL PROPERTIES

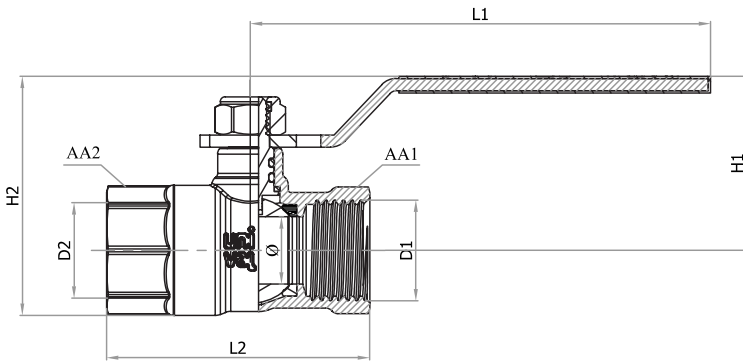
Maksimum Çalışma Sıcaklığı / Maximum Working Temperature : Su için / For water -10 °C / 120 °C

Maksimum Çalışma Basıncı / Maximum Working Pressure : 25 bar (1/4" - 3/4") 28 bar (1" - 2")

MALZEME / MATERIAL

Gövde / Body	: Pirinç / Brass
İç Sızdırmazlık / Gasgets	: PTFE
Mil / Stem	: Pirinç / Brass
Mil O-ring / Stem O-ring	: EPDM
Mil Burcu / Stem Bushing	: Pirinç / Brass
Küre / Ball	: Pirinç / Brass
Kol / Lever	: Çelik / Steel
Somun / Nut	: Çelik / Steel

TEKNİK RESİM / TECHNICAL DRAWING



ÖLÇÜ TABLOSU / DIMENSIONS

Ölçü / Size	Ø [mm]	L1 [mm]	L2 [mm]	H1 [mm]	H2 [mm]	AA1 [mm]	AA2 [mm]	D1 [mm]	D2 [mm]	Kv
1/2"	15	95.5 ⁺³	54.6 ⁺¹	36.1 ⁺²	49.6 ⁺³	25	25	Rp1/2"	Rp1/2"	7.8
3/4"	20	95.5 ⁺³	55.4 ⁺¹	38.5 ⁺²	55 ⁺³	30	30	Rp3/4"	Rp3/4"	19.4
1"	25	98 ⁺³	69.9 ⁺¹	50.5 ⁺²	72.5 ⁺³	37.8	37.8	Rp1"	Rp1"	34.7
1 1/4"	32	120.5 ⁺³	74.7 ⁺¹	55.1 ⁺²	81.1 ⁺³	45.8	45.8	Rp1 1/4"	Rp1 1/4"	54.6
1 1/2"	40	156.5 ⁺³	86.1 ⁺¹	67.1 ⁺²	99.3 ⁺³	52.7	52.7	Rp1 1/2"	Rp1 1/2"	87.7
2"	50	156.5 ⁺³	103 ⁺¹	72.2 ⁺²	116.2 ⁺³	64.8	64.8	Rp2"	Rp2"	154.6