

## DIN F4 Flanged Resilient OS&Y Gate Valve (XZ41X), PN10/16, UL/FM Approved



XZ41X

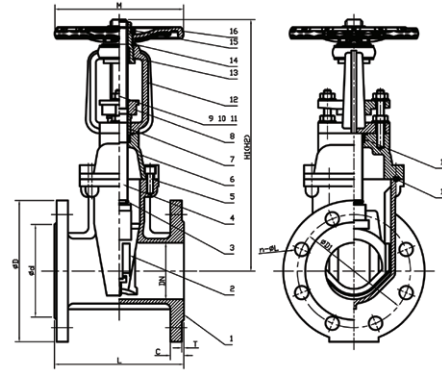


NSF/ANSI 61 NSF/ANSI 372

- Connection Ends: Flange to DIN EN 1092-2:1997
- Working Pressure: PN10/16
- Temperature Range: 0°C- 100°C
- Coating: Fusion Bonded Epoxy Coating in accordance with ANSI/AWWA C550



XZ41X-1



### MATERIAL SPECIFICATION

Part No.	Part	Standard Specification	Options
1	Valve Body	EN-GJS-450-10	
2	Resilient Wedge Disc	EN-GJS-450-10+EPDM	
3	O-Ring	NBR	EPDM
4	Stem	Stainless Steel	SS304, SS316, SS420, SS431
5	Nut	Carbon Steel Zinc Plated	SS304, SS316
6	Bonnet	EN-GJS-450-10	
7	Stem Bushing	Brass HPb59-1	
8	Gland	EN-GJS-450-10	
9	Flat Washer	Carbon Steel Zinc Plated	SS304, SS316
10	Stud	Carbon Steel Zinc Plated	SS304, SS316
11	Nut	Carbon Steel Zinc Plated	SS304, SS316
12	Yoke	EN-GJS-450-10	
13	Stem Nut	Brass HPb59-1	
14	Washer	Brass HPb59-1	SS304, SS316
15	Locknut	Carbon Steel Zinc Plated	
16	Handwheel	EN-GJS-450-10	Pressed Steel
17	Stem Packing	NBR	EPDM
18	Bonnet Gasket	EPDM	NBR

Note: For special material request other than standard specification, please indicate clearly on the inquiry or order list.

DN		PN	Dimensions(mm)										
Inch	mm		L (F4)	L (F5)	H1 (Close)	H2 (Open)	D	D1	d	C	T	M	n-ΦL
2"	50	10/16	150	250	323	373	165	125	99	19	3	180	4-Φ19
2.5"	65	10/16	170	270	343	408	185	145	118	19	3	180	4-Φ19
3"	80	10/16	180	280	370	450	200	160	132	19	3	200	8-Φ19
4"	100	10/16	190	300	442	542	220	180	156	19	3	254	8-Φ19
5"	125	10/16	200	325	540	665	250	210	184	19	3	280	8-Φ19
6"	150	10/16	210	350	608	758	285	240	211	19	3	305	8-Φ23
		10/16	230	400	720	920	340	295	266	20	3	350	8-Φ23 12-Φ23
10"	250	10/16	250	450	940	1190	405	350	319	22	3	450	12-Φ23
		10/16	250	450	940	1190	405	355	319	22	3	450	12-Φ28
12"	300	10/16	270	500	1065	1365	460	400	370	24.5	4	450	12-Φ23
		10/16	270	500	1065	1365	460	410	370	24.5	4	450	12-Φ28