

> SÜRGÜLÜ VANA

GATE VALVE

GAV-0301 / GAV-0302

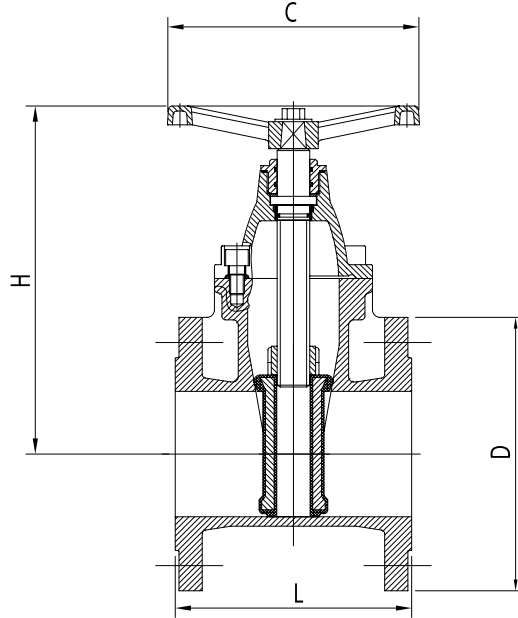


CERTIFICATIONS



| | |
|-----------------|---------------------------------|
| Basınç Sınıfı | : PN16/PN25 |
| Gövde | : Sfero döküm |
| Disk | : Elastomer kaplı sfero döküm |
| Mil | : Paslanmaz çelik |
| | Flanşlı |
| Pressure Rating | : PN16/PN25 |
| Body | : Ductile iron |
| Disc | : Elastomer coated ductile iron |
| Stem | : Stainless steel |
| | Flanged |

| PRODUCT | | SIZE |
|--------------|--------------|--------|
| GAV-0301X040 | GAV-0302X040 | DN 40 |
| GAV-0301X050 | GAV-0302X050 | DN 50 |
| GAV-0301X065 | GAV-0302X065 | DN 65 |
| GAV-0301X080 | GAV-0302X080 | DN 80 |
| GAV-0301X100 | GAV-0302X100 | DN 100 |
| GAV-0301X125 | GAV-0302X125 | DN 125 |
| GAV-0301X150 | GAV-0302X150 | DN 150 |
| GAV-0301X200 | GAV-0302X200 | DN 200 |
| GAV-0301X250 | GAV-0302X250 | DN 250 |
| GAV-0301X300 | GAV-0302X300 | DN 300 |



MALZEME / MATERIALS

| | |
|----------------|---|
| Gövde / Body | : Sfero döküm / Ductile iron |
| Kapak / Bonnet | : Sfero döküm / Ductile iron |
| Sürgü / Wedge | : EPDM kaplı sfero döküm / EPDM coated ductile iron |
| Mil / Stem | : Paslanmaz çelik / Stainless steel |
| O-Ring | : EPDM |
| Conta / Gasket | : EPDM |
| Civata / Bolt | : Karbon çelik / Carbon steel |
| Somun / Nut | : Piriç / Brass |

GENEL ÖZELLİKLER / GENERAL PROPERTIES

| | |
|--|---------------|
| Basınç Sınıfı / Pressure Rating | : PN16 / PN25 |
| Maksimum Çalışma Sıcaklığı / Maximum Working Temp. | : 100 °C |

| DN | L | H | D | C |
|-----|-----|-----|-----|-----|
| 50 | 150 | 210 | 165 | 160 |
| 65 | 170 | 230 | 185 | 200 |
| 80 | 180 | 255 | 200 | 200 |
| 100 | 190 | 300 | 220 | 200 |
| 125 | 200 | 350 | 250 | 250 |
| 150 | 210 | 410 | 285 | 250 |
| 200 | 230 | 480 | 340 | 320 |
| 250 | 250 | 600 | 405 | 366 |
| 300 | 270 | 690 | 460 | 366 |

| DN | L | H | D | C |
|-----|-----|-----|-----|-----|
| 50 | 150 | 210 | 165 | 160 |
| 65 | 170 | 230 | 185 | 200 |
| 80 | 180 | 255 | 200 | 200 |
| 100 | 190 | 300 | 235 | 200 |
| 125 | 200 | 350 | 270 | 250 |
| 150 | 210 | 410 | 300 | 250 |
| 200 | 230 | 480 | 360 | 320 |
| 250 | 250 | 600 | 425 | 366 |
| 300 | 270 | 690 | 485 | 366 |