

Test ve Drenaj Vanası

Test and Drain Valve



YİVLİ / GROOVED



DİŞLİ / FEMALE



TEKNİK ÖZELLİKLER / TECHNICAL SPECIFICATIONS

Basınç Sınıfı / Pressure Rating: 300 psi

Gövde / Body: Pirinç / Brass

Kol / Lever: Karbon Çelik / Carbon Steel

Orifis / Orifice: 1/2" 3/8" - 7/16" - 17/32" - 5/8" - 3/4" - 15/16" - 15/65" - 19/64"

GENEL ÖZELLİKLER / GENERAL SPECIFICATIONS

Test ve drenaj vanaları, NFBE-13', NFPA-13D de, gerekliliklerine uygun olarak sulu sprinkler sistemlerinde test ve drenaj fonksiyonlarını yerine getirilir. UL listeli ve FM onaylıdır.

Temel özellikler:

- Rp, EN 10226 dişli 1" - 1 1/4" - 1 1/2" - 2"
- Dişli 1" - 1 1/4" - 1 1/2" - 2"
- Yivli bağlantılı 1 1/4" - 2"
- Gövde dövme çelik
- Krom kaplı pirinç küre

Test and drain valve for sprinkler systems combines the functions of test and drain for wet sprinkler systems. complies with the requirements of NFPA-13, NFPA-13R and NFPA-13D and is FM approved and UL listed.

Main feature as following:

- Rp, EN 10226 threads 1" - 1 1/4" - 1 1/2" - 2"
- NPT threads 1" - 1 1/4" - 1 1/2" - 2"
- Groove connections 1 1/4" - 2"
- Forged brass body
- Chrome plated brass ball

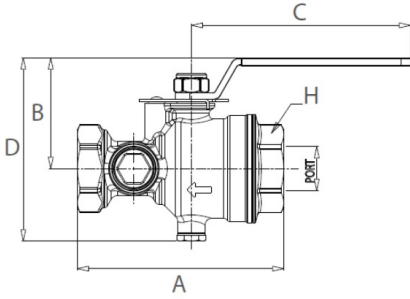
MALZEME LİSTESİ / MATERIAL LIST

- Gövde dövme pirinç
- Küre krom kaplı
- Karbon çelik
- Vana siti, PTFE
- Gösterge disk, pirinç
- Gözetleme camı polikarbonat
- Forged brass body
- Chrome plated ball
- Steel handle
- Valve seat in PTFE
- Indication disk in brass
- Sight glasses in polycarbonate

VERSİYONLAR VE ÜRÜN KODLARI / VERSIONS AND PRODUCT CODES

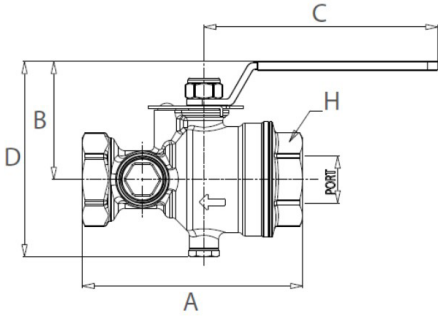
Seriler / Series	Ölçü / Size	Tip / Type
A61	1"	Rp, EN 10226 (F) x Rp, EN 10226 (F)
	1 1/4"	
	1 1/2"	
	2"	
	1"	Rp, EN 10226 (F) x Rp, EN 10226 (F)
	1 1/4"	
	1 1/2"	
	2"	
1 1/4"	Yivli x Yivli / Grooved x Grooved	
2"		

ÖLÇÜ TABLOSU / DIMENSIONS



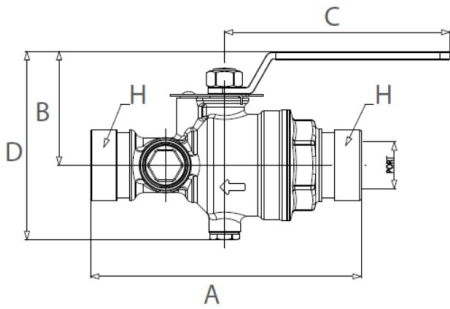
A61 - DİŞLİ/FEMALE Rp x DİŞLİ Rp

Ölçü / Size	C (Tapa / Plug)	Geçiş / Port	A	B	C	D	H
1"	1/4"	1 1/16"	5 1/18"	2 43/64"	5 11/32"	4 27/64"	1 57/64"
1 1/4"	1/4"	1 1/16"	5 7/16"	2 43/64"	5 11/32"	4 27/64"	1 57/64"
1 1/2"	1/4"	1 18/32"	6 3/16"	4"	6 26/32"	6 21/64"	2 40/64"
2"	1/4"	1 12/16"	6 21/32"	4"	6 26/32"	6 21/64"	2 40/64"



A61 - DİŞLİ/FEMALE NPT x DİŞLİ/FEMALE NPT

Ölçü / Size	C (Tapa / Plug)	Geçiş / Port	A	B	C	D	H
1"	1/4"	1 1/16"	5 1/32"	2 43/64"	5 11/32"	4 27/64"	1 57/64"
1 1/4"	1/4"	1 1/16"	5 1/32"	2 43/64"	5 11/32"	4 27/64"	1 57/64"
1 1/2"	1/4"	1 18/32"	6 6/32"	4"	6 26/32"	6 21/64"	2 40/64"
2"	1/4"	1 12/16"	6 6/32"	4"	6 26/32"	6 21/64"	2 40/64"



A61 - YİVLİ/GROOVED x YİVLİ/ GROOVED

Ölçü / Size	C (Tapa / Plug)	Geçiş / Port	A	B	C	D	H
1"	1/4"	1 1/16"	6 13/32"	2 43/64"	5 11/32"	4 27/64"	1 1/4" YİVLİ / GROOVE
2"	1/4"	1 12/16"	7 17/32"	4"	6 26/32"	6 21/64"	2" YİVLİ / GROOVE