



TEKNİK ÖZELLİKLER / TECHNICAL SPECIFICATIONS

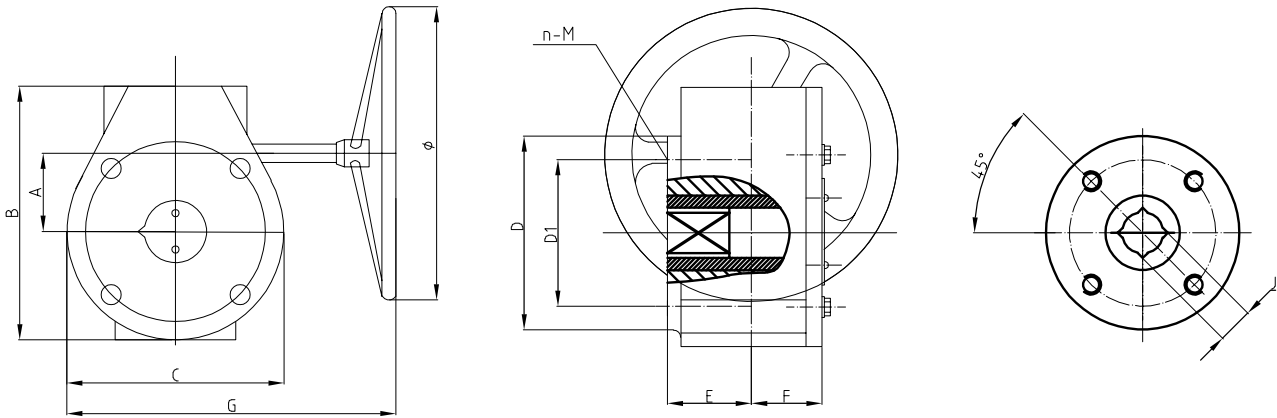
Basınç Sınıfı	: PN16
Gövde	: Pik döküm Sfero döküm Dişli kutulu (DN350...DN600)
Pressure Rating	: PN16
Body	: Cast iron Ductile iron Gear box (DN350...DN600)

Ürün / Product	Ölçü / Size
BGB-0001	2"-3"
BGB-0001	4"-5"
BGB-0001	6"
BGB-0001	8"
BGB-0001	10"
BGB-0001	12"-14"
BGB-0001	16"-20"

MALZEME / MATERIAL

Gövde / Body	: ASTM A536 65-45-12
Kapak / Cover	: Alüminyum / Aluminum
Sonsuz Dişli / Worm Gear	: ASTM A536 65-45-12
Sonsuz Vida / Worm	: 45 Krom Kaplı / Chrome Plated
Çark / Handweel	: ASTM A536 65-45-12
Civata / Bolt	: S5304
Klape / Disc	: Nikel Kaplı Sfero Döküm / Nickel Plated Ductile Iron
Conta / Seat	: EPDM veya NBR / EPDM or NBR

TEKNİK RESİM / TECHNICAL DRAWING



ÖLÇÜ TABLOSU / DIMENSIONS

Ölçü / Size	Dişli Model / Gear Mod	A [mm]	B [mm]	C [mm]	E [mm]	F [mm]	G [mm]	D [mm]	D1 [mm]	n-M [mm]	JxJ [mm]	Ø [mm]	Position	Torque N.m
2"-3"	3D-15	45	123	103	30	28	210	90	70	4-M8	11x11	135	X	150
4"-5"	3D-15	45	123	103	30	28	210	90	70	4-M8	14x14	135	X	150
6"	3D-15	45	123	103	30	28	210	90	70	4-M8	17x17	135	X	150
8"	3D-50	63	164	140	40	30	270	125	102	4-M10	17x17	135	X	500
10"	3D-50	63	164	140	40	30	270	125	102	4-M10	22x22	290	X	500
12"-14"	3D-120	78	186	154	44	31	280	150	125	4-M12	22x22	290	X	1200
16"-20"	3D-250	110	260	225	55	45	365	198	140	4-M16	27x27	390	X	2500